

# NASSAU Panorama



You know the Quality

# Chapter 4

## NASSAU Panorama

	Page
Introduction	4.1
Structure of the door	4.2
90P aluminium profile section	4.4
Seals	4.6
Detailed drawings	4.8

We reserve the right to make modifications without prior notice.





## NASSAU Panorama

NASSAU Panorama has been designed specially for buildings where a lot of natural light is required, as the windows do not have any vertical bars. The door appears elegant with its clean lines and lets lots of light into the building. This door without bars appears light and can be adapted to the architectural lines of the building.

This is why Panorama is very useful in showroom areas where it must be possible to look in, such as car, boat, caravan and yacht showrooms.

Panorama is also useful in working environments where there is a need for lots of natural light inside the building itself. This applies to warehousing and production environments where there is a real need for light inside the building.

This chapter explains the structure of NASSAU Panorama as well as the technical characteristics of the door.





## Structure of the door

### THE DOOR LEAF

The door leaf for NASSAU Panorama consists of aluminium profile sections without vertical bars. The door has been designed in accordance with special regulations which ensure the necessary stability in the barless window sections.

The sections are 44 mm thick. The max. height of the door's middle sections is 500 mm. The sections are made from extruded anodised aluminium profiles with patented finger protection between the sections, which makes it impossible to get your fingers crushed while the door is moving. The danger of crushing your fingers between the door rollers and the vertical travel rails is equally avoided by using trapping protection discs.

NASSAU Panorama is supplied in max. 5000 mm x 5000 mm and standard with anodised aluminium

profiles. Alternatively, the surface can be powder-coated or liquid-painted in an optional colour to suit your own requirements.

### FILLINGS

NASSAU Panorama can be supplied with two different fillings. All fillings are supplied in the same height without vertical bars and thus ensure maximum natural light inside the building.

### SEALINGS

NASSAU Panorama is equipped with strong seals, which protect against wind and water from the outside. The top seal is fitted on the top section and closes the gap between the door leaf and the building. All other door leaves are equipped with a sealing strip between the sections. The bottom section is also equipped with a rubber profile with internal and external lipseals. Additionally, the vertical tracks are equipped with a

side seal that closes towards the outside of the door leaf.

### CLASSIFICATIONS

The NASSAU Panorama has been approved in accordance with the international product standard for sectional doors – EN 13241-1.

### BALANCING THE DOOR

The door is balanced by torsion springs which are calculated and manufactured individually for each door. A correctly balanced door ensures a safe and stable operation.





## Structure of the door

### SAFETY

A manually operated NASSAU Panorama is supplied with broken spring protection and can also be supplied with broken wire protection. The NASSAU Panorama thus fulfills the EN standard in force and the requirements set in connection with CE marking.

### SAFETY

A manually operated NASSAU Panorama door is supplied with broken spring protection and can also be supplied with broken wire protection. The NASSAU Panorama thus fulfils the EN standard in force and the requirements set in connection with CE marking.

### TRACK SYSTEM

NASSAU Panorama is supplied with a variety of different track systems - all depending on space and installation requirements. The preferred option is often for the door to be as close to the ceiling as possible in order to make proper use of the free space above the door opening. Regardless of the rail system there

will always be the option of adjusting the door's vertical rails and thus ensuring that the door leaf runs properly when opening and closing the door. Chapter 8 includes a detailed description of the many different rail systems offered.

### STANDARD EQUIPMENT / ACCESSORIES

NASSAU Panorama door is offered with a wide range of accessories to meet individual requirements and needs. These include the following. The vertical tracks are adjustable. Bottom hinges, side and top hinges with rollers are supplied in galvanised steel as standard. The side hinges and top hinges are adjustable meaning that perfect clamping force and a fully sealed door leaf are achieved.

The door can be supplied with a wide range of locks such as bolt locks, cylinder locks and electric locks which ensure that the door is locked automatically.

NASSAU Panorama can be supplied with NASSAU electric controls and a wide range of operating equipment.

### INSTALLATION AND MAINTENANCE

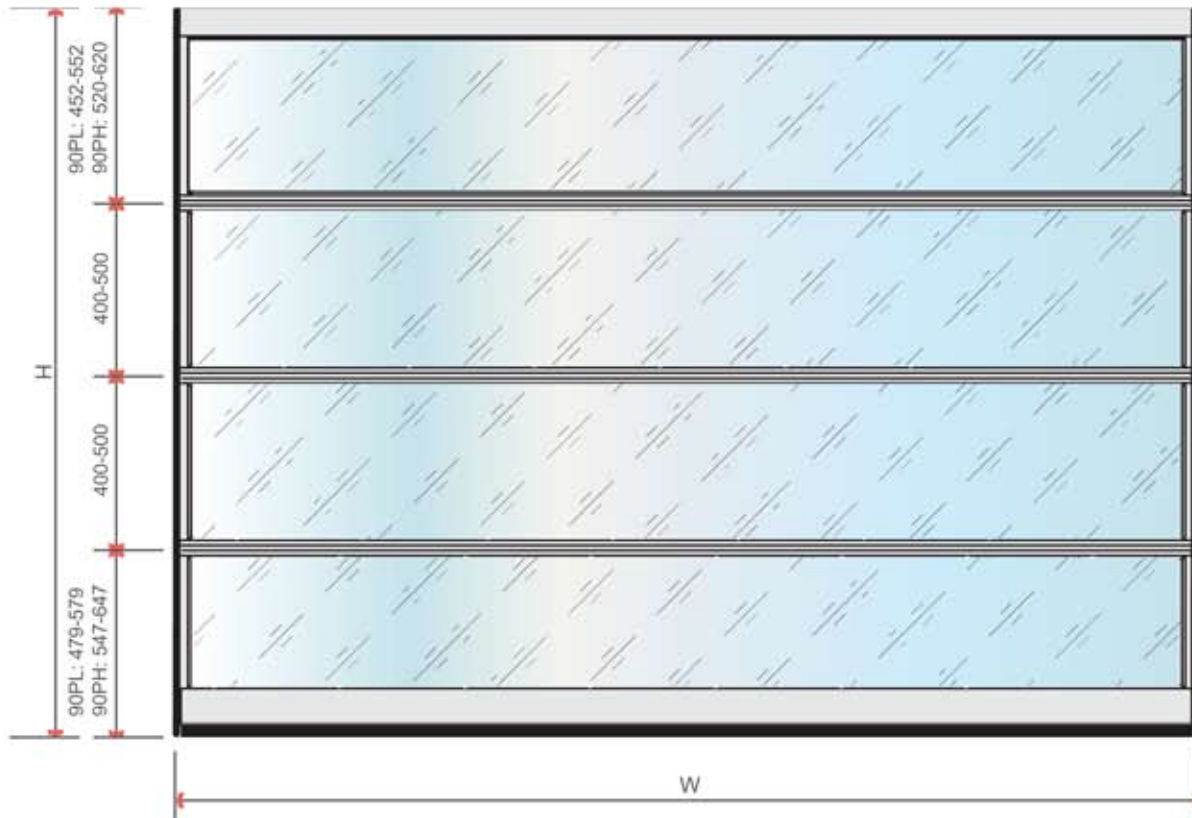
In order to ensure the safe and reliable operation of the door, it is essential that the door is installed in accordance with NASSAU Door's installation instructions. It is recommended that a sectional door undergo a service inspection once a year. In addition, it is recommended that the door components are inspected regularly, thus extending the lifetime of the door.



# 90P aluminium profile section

## Panorama door model

### Complete with 90P aluminium profile sections



The NASSAU Panorama is made up of extruded anodised aluminium profiles. All sections are supplied with uniform filling heights. The minimum height of the middle sections is 400 mm and the maximum is 500 mm.

The minimum section height for the bottom section with low bottom profile (90PL) is 479 mm and the maximum is 579 mm.

The minimum section height for the bottom section with high bottom profile (90PH) is 547 mm and the maximum is 647 mm.

The minimum section height for the bottom section with low top profile (90PL) is 452 mm and the maximum is 552 mm.

The minimum section height for the top section with high top profile (90PH) is 520 mm and the maximum is 620 mm.

Doors wider than 3800 mm must be supplied with a high bottom profile (90PH)

#### INTERIOR DIMENSIONS

Width (W):

Height (H):

#### PANORAMA [mm]

Min. 1600 - max. 5000

Min. 1500 - max. 5000

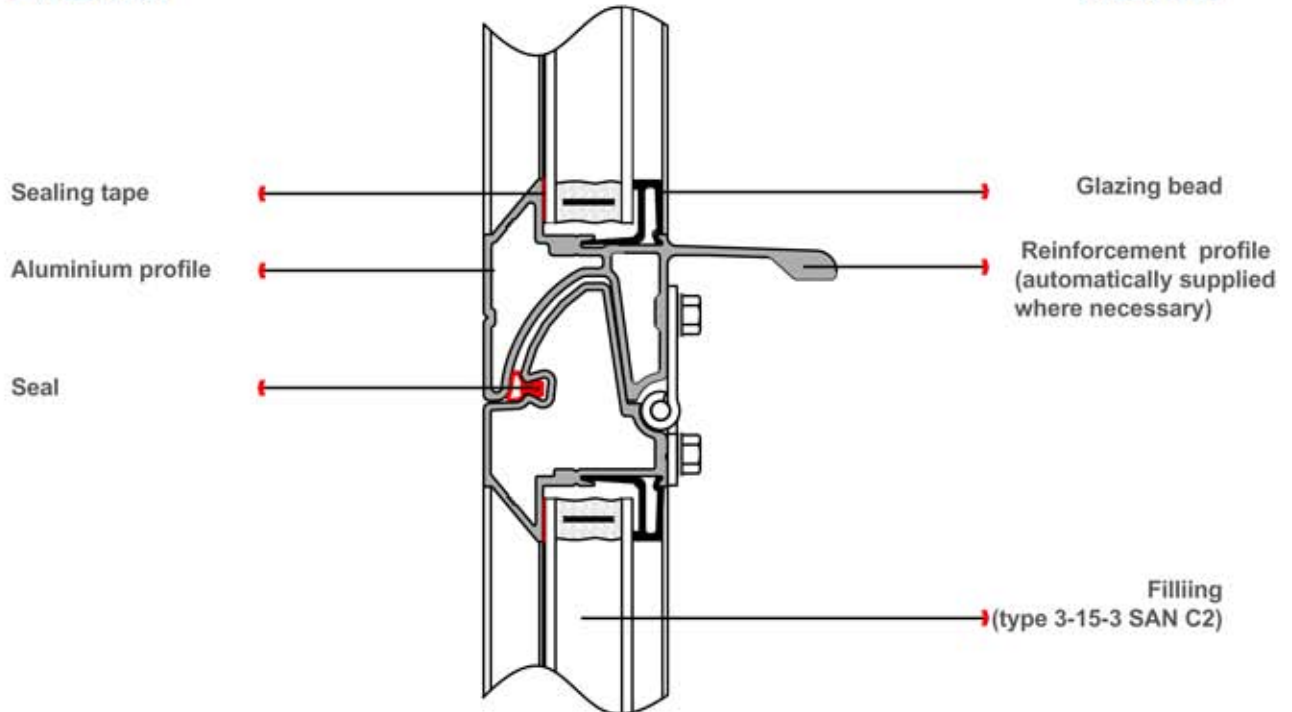


# 90P aluminium profile section

## Aluminium profile section 90P: Cross-section

### External

### Internal



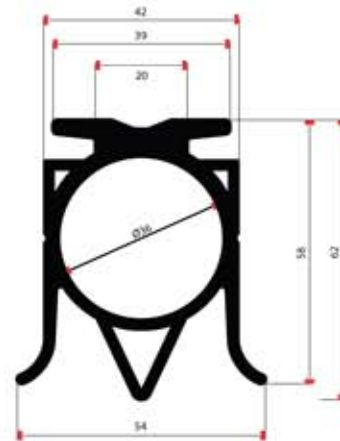
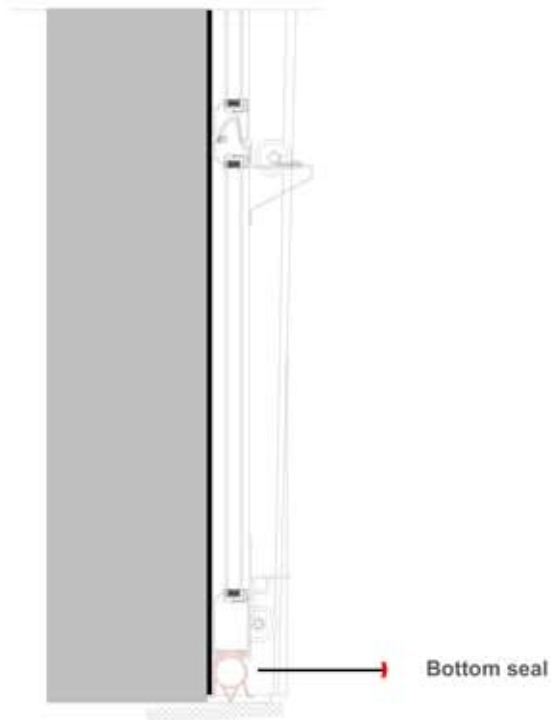
### Fillings for 90P

Type	Description
3-15-3 PC	Double 3 mm external and internal polycarbonate.
3-15-3 SAN C2	Double 3 mm standard acrylic (SAN) with scratch-resistant KASI® external and internal finish

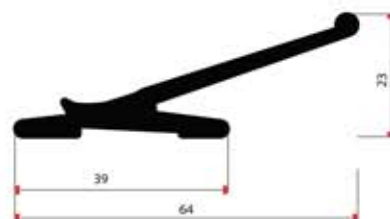
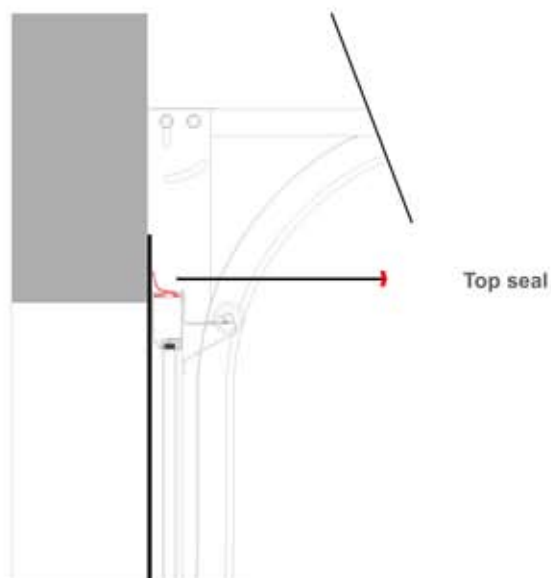
## Seals for Panorama door model

High quality seals are essential if you are to insulate a sectional door as efficiently as possible. NASSAU sealings maintain their form and effective function in temperatures ranging from  $-20^{\circ}\text{C}$  to  $+75^{\circ}\text{C}$ .

### Bottom seal



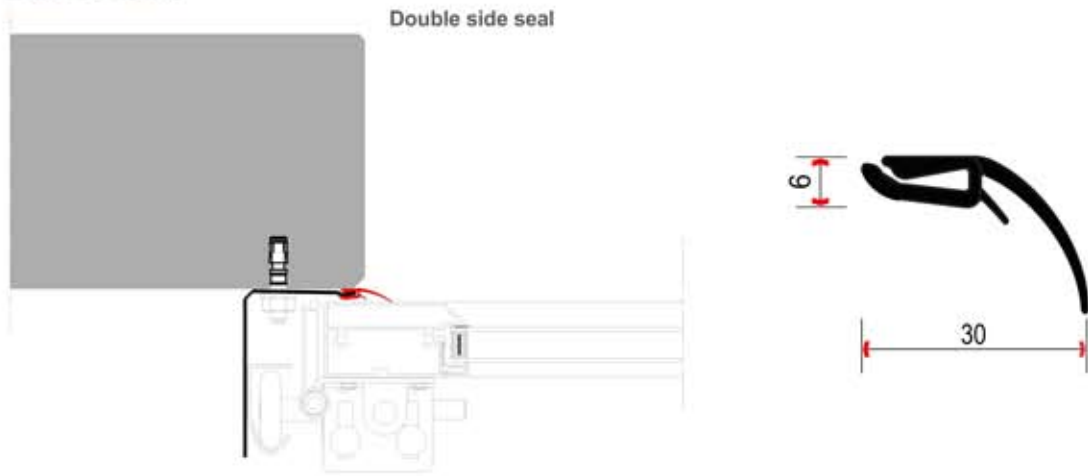
### Top seal



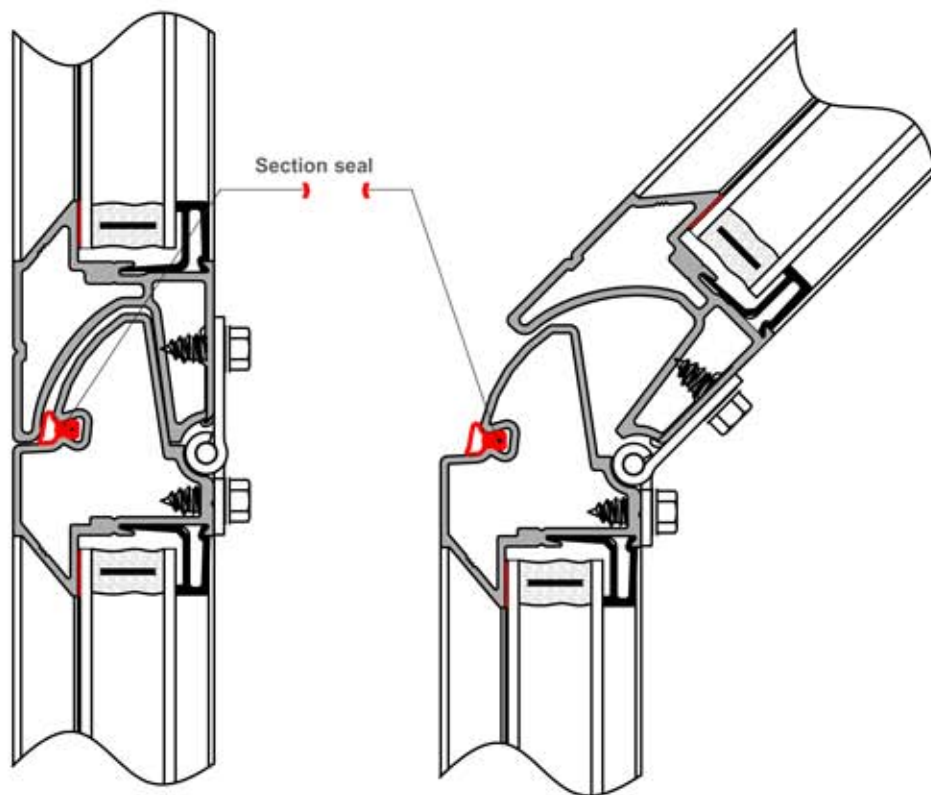


# Seals

## Side seal

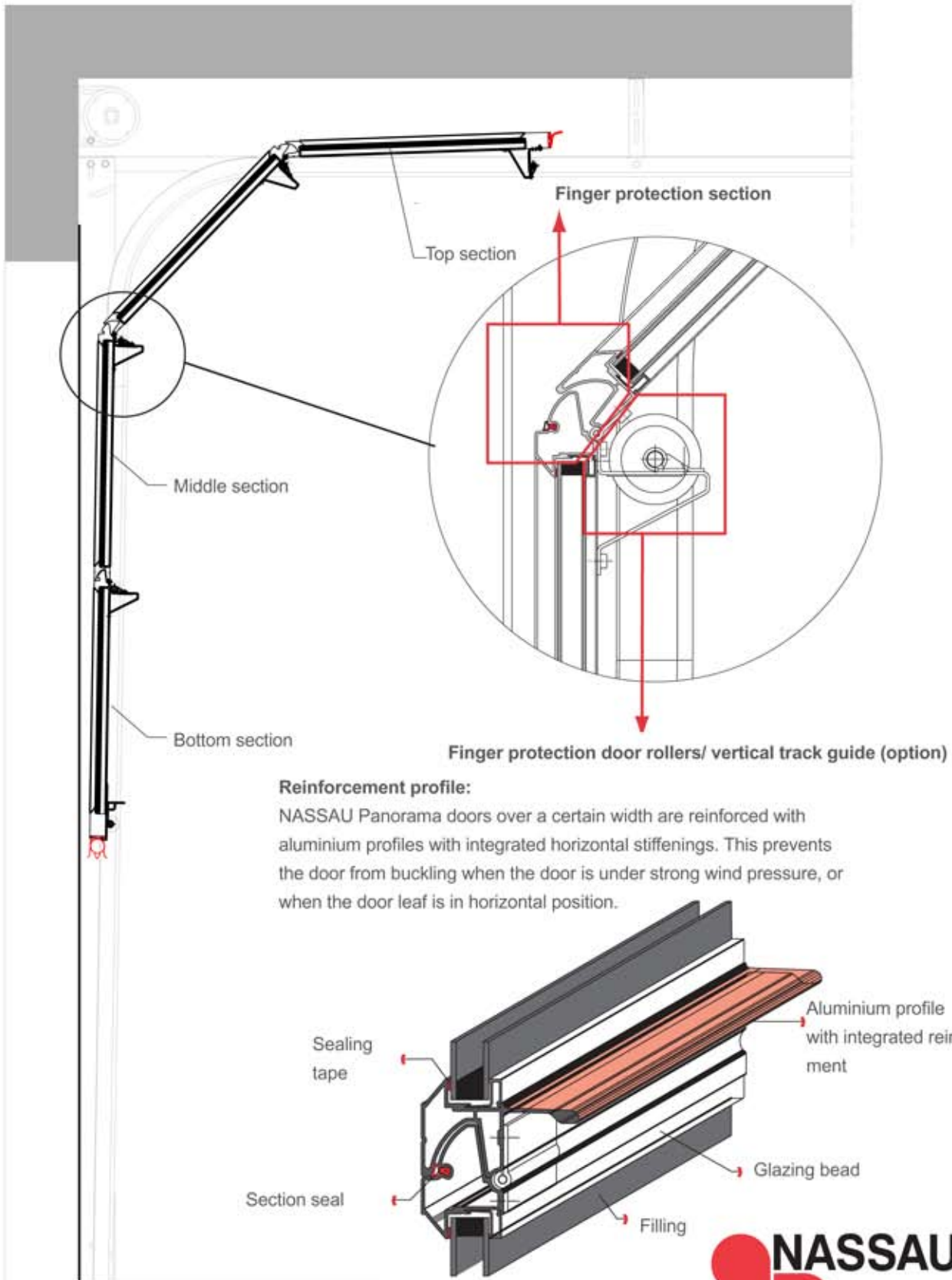


## Section seal



## Detailed drawings

## Panorama door model: Cross-section

**Reinforcement profile:**

NASSAU Panorama doors over a certain width are reinforced with aluminium profiles with integrated horizontal stiffenings. This prevents the door from buckling when the door is under strong wind pressure, or when the door leaf is in horizontal position.

