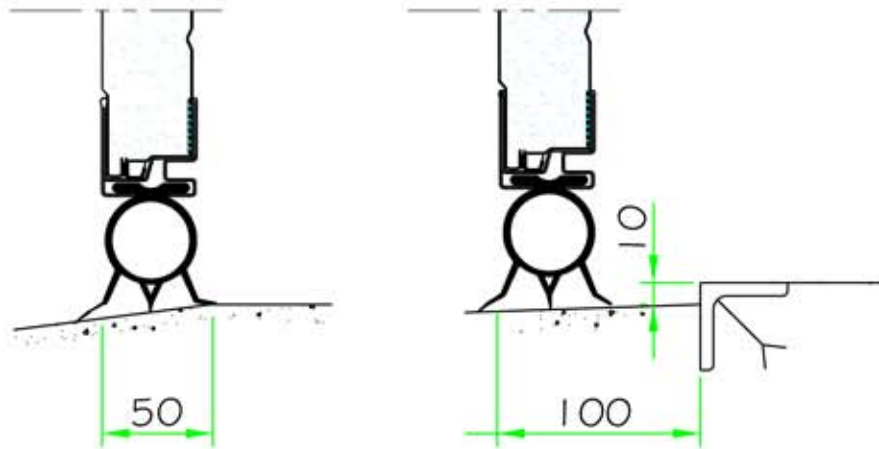
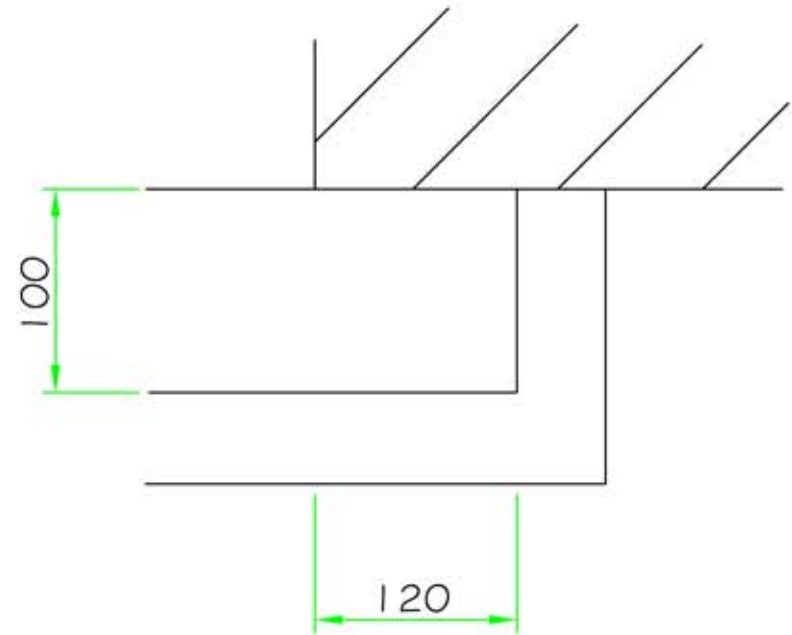


Dimension from inside face of door post



Recommended Threshold Details (1 in 100 slope)



Plan on Door Jamb

